



WE LISTEN™

Advanced Medical Innovations™

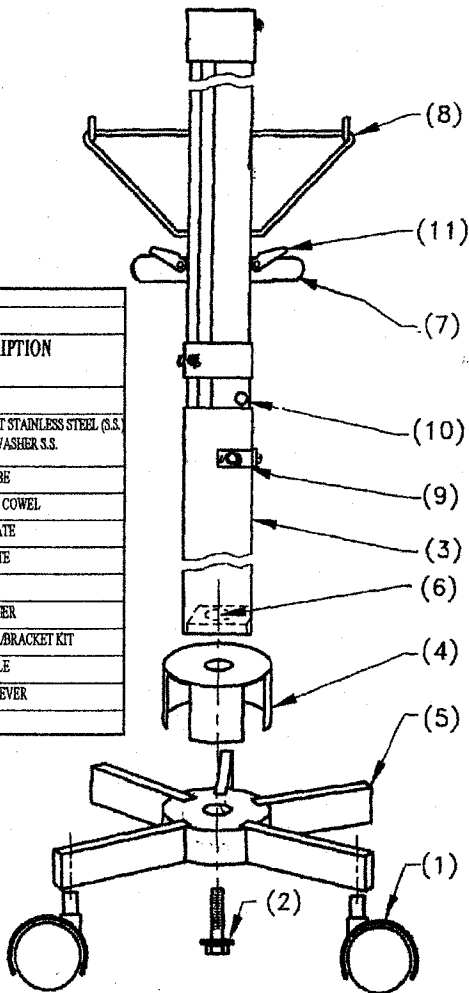
Mission Industrial Park

8741 Shirley Avenue, Northridge, CA 91324 USA • Tel: (818) 701-7180 • Fax to Email (818) 350-5738 • Fax: (818) 701-9708

Website: www.amiwelisten.com • E-Mail: Sales@amiwelisten.com

ASSEMBLY INSTRUCTIONS FOR I.V. POLE & IRRIGATION TOWER

MODEL 11101			
ITEM #	QTY	PART #	DESCRIPTION
1	5	55-46259	CASTER
2	1	55-58025 55-11085-SS	HEX BOLT STAINLESS STEEL (S.S.) SPRING WASHER S.S.
3	1	55-29202	POLE TUBE
4	1	55-11101-CO	SLOTTED COVER
5	1	59-11101-BA	BASE PLATE
6	1	N/A	NUTPLATE
7	4	55-40125	HANDLE
8	4	55-30014	S.S. HANGER
9	1	55-BRK	PLUNGER/BRACKET KIT
10	3	N/A	POLE HOLE
11	4	55-50025	THUMB LEVER



MODEL NUMBER

	<u>4-Channel</u>	<u>2-Channel</u>	<u>1-Channel</u>
Base	<input type="checkbox"/> 11101-B & BB	<input type="checkbox"/> 11102-B & BB	<input type="checkbox"/> 11103-B & BB
Upright stand	11101-T & TB 11101-T9	11102-T & TB	11103-T & TB

Step 1

Remove wheels (1) and bolt with lock washer (2) from the plastic bag. Insert the wheels into each base leg until snug.

Step 2

Lay the pole tube mechanism (3) onto base (5) making sure the slotted cover (4) is seated over the base (5). Secure pole tube to base by inserting the bolt and lock washer (2) through the underside of base plate (5), and through the slotted cover (4) and into the nut plate (6) in the underside of pole tube (3). Tighten the bolt snug with a wrench.

Note: The lock washer must be present to have a secure assembly.

Step 3

Unwrap any protective materials around the handles (7) and hangers (8). You are now ready to utilize this unique pole.

To Use the Pole

- A. Bring the pole to its desired height by momentarily pulling the spring plunger (9) while sliding the pole up. This will allow the desired pole hole (10) to engage with the spring plunger and lock it in position. The third lowest hole will allow for maximum height of 96" (8 feet). With the custom hangers you can reach 108" (9 feet)
- B. Hang the irrigation bags on the hangers as desired. Push the thumb lever (11) down to disengage the brake mechanism while pushing the handle (7) down. This will elevate the bags to the desired height. Release the thumb lever (11) when the desired height is reached to lock in place. Use the Pull/Push technique to avoid any back strain.

-----Cut Along this line-----
WARRANTY REGISTRATION CARD
Limited Warranty

AMI warrants this equipment to be free from defects in material, parts and workmanship under normal use and service for a period of two (2) years from the date of shipment. Equipment returned by prepaid freight for inspection and found defective will be repaired or replaced at no charge, but no claim for outside labor or charges will be allowed. THIS WARRANTY IS EXCLUSIVE AND IN LIEU OF ALL OTHER WARRANTIES AND REMEDIES WHATSOEVER, INCLUDING, BUT NOT LIMITED TO, IMPLIED WARRANTIES OF MERCHANTABILITY AND/OR FITNESS FOR A PARTICULAR PURPOSE. AMI SHALL HAVE NO LIABILITY WHATSOEVER FOR DAMAGES CAUSED BY TRANSPORTATION, ACCIDENT, FIRE, UNAUTHORIZED ALTERATION, OR NORMAL WEAR OR ABUSE, NOR SHALL AMI HAVE ANY LIABILITY WHATSOEVER FOR ANY INCIDENTAL OR CONSEQUENTIAL DAMAGES, including without limitation, any such arising from (a) the design, manufacture, sale, delivery, installation, repair, operation or use of the equipment or any part thereof, (b) any actual or alleged failure or defect in the equipment or any part thereof, or (c) any actual or alleged breach or nonperformance by AMI under this limited warranty. This warranty gives you specific legal rights and you may also have other rights which vary from state to state.

This Warranty Registration Card must be sent to AMI within ten (10) days of purchase to initiate the warranty period

Hospital/Surgery Center Name: _____

Address: _____

Phone #: _____

Unit(s) Serial Number: _____
(From Label on Tube (3) next to Plunger (9))

Date: _____

Please turn page over for Return Policy

-----Cut Along this line-----

RETURN POLICY

The guidelines below must be followed in order to return product for credit:

1. A Return Material Authorization (RMA) number must be obtained within thirty (30) days of invoice date by calling our Customer Service Department at 800-426-6476.
2. An RMA number is valid for fifteen (15) working days. Product received beyond this fifteen (15) day period will be refused.
3. Product must be in new, unmarked, saleable condition. We will issue full credit following inspection of product. Product not in new condition is subject to a 20% restocking fee.
4. Shipment damages should be reported to Customer Service Department within ten (10) days of invoice date.

Hospital/Surgery Center Name: _____

Address: _____

Phone #: _____

RMA # _____

Unit(s) Serial Number: _____

(From Label on Tube (3) next to Plunger (9))

Date: _____